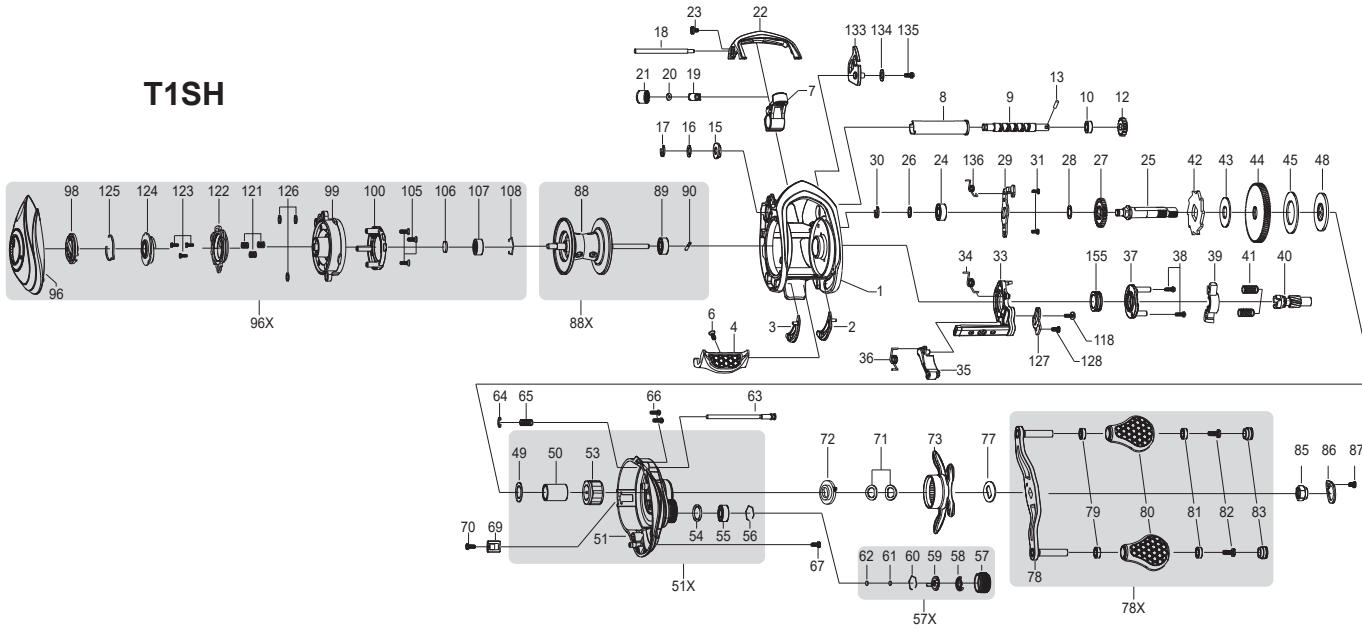


T1SH



- | | | | |
|-----|---------------------------|-----|------------------------------|
| 1 | FRAME | 59 | CLICK PLATE |
| 2 | CLUTCH BAR PLATE-R | 60 | CLICK PLATE RETAINER |
| 3 | CLUTCH BAR PLATE-L | 61 | TENSION WASHER |
| 4 | CLUTCH BAR ASSEMBLY | 62 | SPOOL SPACER-B |
| 6 | CLUTCH BAR SCREW | 63 | LOCKING PIN |
| 7 | LEVEL WIND ASSEMBLY | 64 | E-RING |
| 8 | PIPE | 65 | LOCKING PIN SPRING |
| 9 | WORM SHAFT | 66 | GEAR SIDE COVER SCREW-A |
| 10 | BALL BEARING | 67 | GEAR SIDE COVER SCREW-B |
| 12 | IDLER-S | 69 | LUBE PORT CAP |
| 13 | WORM SHAFT PIN | 70 | LUBE PORT CAP SCREW |
| 15 | WORM SHAFT BUSHING-B | 71 | DRAG SPRING WASHER |
| 16 | WORM SHAFT WASHER | 72 | CLICK PLATE ASSEMBLY |
| 17 | E-RING | 73 | STAR DRAG |
| 18 | PILLAR | 77 | HANDLE WASHER |
| 19 | LEVEL WIND PIN | 78 | HANDLE |
| 20 | SPACER(OPTIONAL) | 78X | HANDLE COMPLETE |
| 21 | LEVEL WIND NUT | 79 | BALL BEARING |
| 22 | FRONT COVER | 80 | HANDLE KNOB |
| 23 | FRONT COVER SCREW | 81 | BALL BEARING |
| 24 | BALL BEARING | 82 | HANDLE KNOB SCREW |
| 25 | CRANK SHAFT | 83 | HANDLE KNOB CAP |
| 26 | IDLER-L WASHER-A | 85 | HANDLE NUT |
| 27 | IDLER-L | 86 | HANDLE NUT RETAINER |
| 28 | IDLER-L WASHER-B | 87 | SCREW |
| 29 | BEARING PLATE | 88 | SPOOL |
| 30 | E-RING | 88X | SPOOL COMPLETE |
| 31 | BEARING PLATE SCREW | 89 | BALL BEARING |
| 33 | CLUTCH CAM | 90 | PIN |
| 34 | CLUTCH SPRING | 96 | PALM SIDE PLATE |
| 35 | KICK LEVER | 96X | PALM SIDE PLATE ASSEMBLY |
| 36 | KICK LEVER SPRING | 98 | CONTROL DIAL |
| 37 | CAM PLATE | 99 | SPOOL COVER |
| 38 | CAM PLATE SCREW | 100 | MAGNET HOLDER ASSEMBLY |
| 39 | PINION YOKE | 105 | SPOOL COVER SCREW |
| 40 | PINION GEAR | 106 | SPOOL SPACER-A |
| 41 | PINION YOKE SPRING | 107 | BALL BEARING |
| 42 | RATCHET | 108 | BEARING RETAINER |
| 43 | RATCHET WASHER | 118 | CLUTCH SCREW |
| 44 | DRIVE GEAR | 121 | SLIDE CAM SPRING |
| 45 | DRAG WASHER-L | 122 | SLIDE CAM-M |
| 48 | DRAG WASHER-D | 123 | SLIDE CAM SCREW |
| 49 | SLEEVE WASHER | 124 | DIAL CAM-M |
| 50 | SLEEVE | 125 | CLICK SPRING |
| 51 | GEAR SIDE PLATE | 126 | SPOOL COVER SPACER(OPTIONAL) |
| 51X | GEAR SIDE PLATE ASSEMBLY | 127 | LINK PLATE |
| 53 | ONE WAY CLUTCH | 128 | LINK PLATE SCREW |
| 54 | O-RING | 133 | HOOK HOLDER |
| 55 | BALL BEARING | 134 | HOOK HOLDER WASHER |
| 56 | BEARING RETAINER | 135 | HOOK HOLDER SCREW |
| 57 | CAST CONTROL CAP | 136 | HOOK HOLDER SPRING |
| 57X | CAST CONTROL CAP ASSEMBLY | 155 | BUSH |
| 58 | CLICKER | | |

T1SHL

