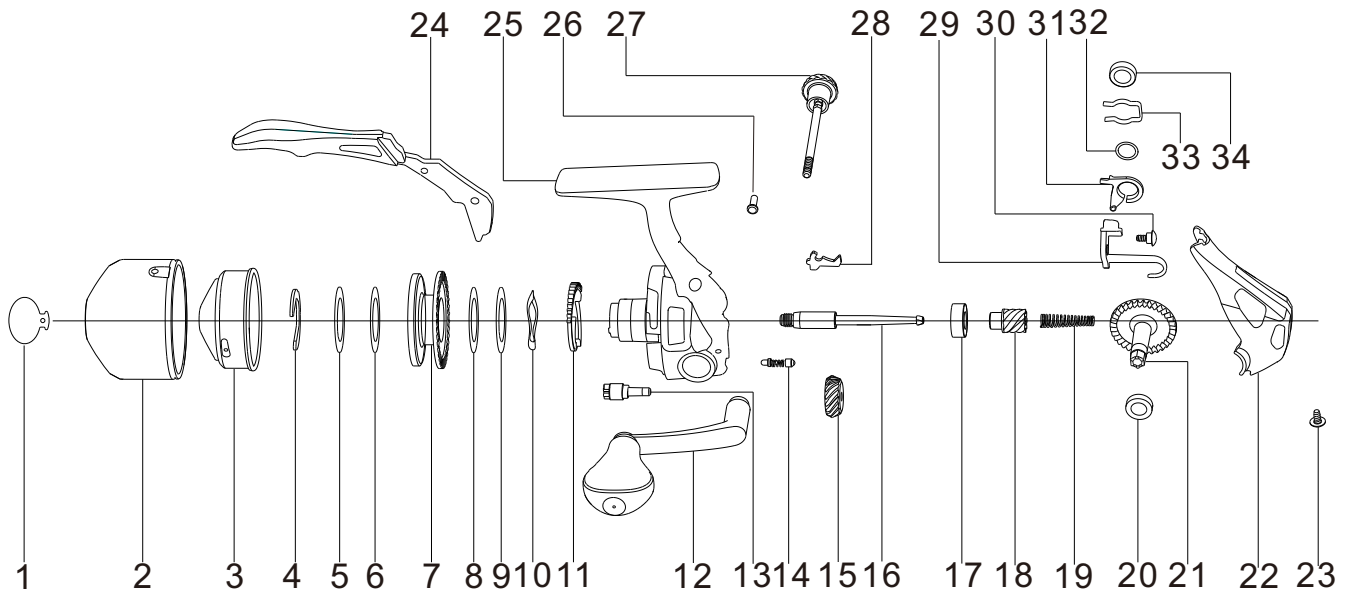


CTUS



Key No.	Parts Name	Key No.	Parts Name
1	Line Clip	18	Pinion Gear
2	Front Cover Assembly	19	Center Shaft Spring
3	Spinnerhead Assembly	20	Bushing
4	Spool Clip	21	Drive Gear
5	Keyed Drag Washer	22	Back Cover
6	Drag Washer	23	Screw
7	Spool Assy with Line	24	Trigger
8	Drag Washer	25	Body
9	Keyed Drag Washer	26	Pin
10	Wave Washer	27	Crank Rod
11	Drag Cam	28	Anti-Reverse Pawl
12	Handle Assy	29	Bite Alert Switch
13	Drag Cam	30	Screw
14	Clicker Assy	31	Actuator
15	Drag Adj. Wheel	32	Gear Shim Washer
16	Center Shaft	33	Bearing Retainer
17	Ball Bearing	34	Bushing