

Cat Daddy® Spinning Reel

CDS50, CDS60



Designed for Monster Catfish!

Cat Daddy® Spinning Reel

Reel Specifications

Model	Weight (oz.)	Line Capacity (yd./lb.)	Gear Ratio	IPT
CDS50	12.5	285/15	5.1:1	32"
CDS60	13	255/20	5.1:1	34"
CDS70	20	300/20	4.4:1	36"
CDS80	21.4	290/20	4.4:1	39"

FEATURES:

- Graphite body and rotor
- Heavy duty stainless steel bail
- Aluminum handle with oversized knob
- Pre-spooled with 15 lb. Mr. Catfish® premium mono
- Left or right hand retrieve



Maintenance and Care

While applying lubricant to your Cat Daddy® reel, avoid using multi-purpose oil. Use lightweight silicone based oils or greases made for fishing reels. Apply oil to all bearings, the crank shaft, and the worm gear. Apply grease to the bushings, pinion gears, drive gears, and crank gears (fig 1). After usage your reel should be inspected for dirt or sand and cleaned if excessive buildup is present. If your reel has come in contact with saltwater it is important to flush all parts with water, dry and re-lubricate your reel. Through diligent cleaning and maintenance your Cat Daddy® reel will provide you with years of reliability and sound performance.

For professional cleaning and maintenance send your reel postage prepaid to:
Do Outdoors, 3031 N. Martin, Springfield, MO 65803
877-470-5397, lews.com

One Year Limited Warranty

Cat Daddy® Warrants its products¹ to withstand normal² use for the purpose designed and intended when manufactured for a period of one (1) year from the original retail sale date to the original retail consumer. Cat Daddy® will at its option repair or replace³ Cat Daddy® products when required for the warranty period and return⁴ the product to the owner at no additional⁵ cost to the owner.

¹Numerous products have been manufactured under variations of the Cat Daddy® name and under the Cat Daddy® Logo by multiple businesses in the past years. This warranty is specifically for products manufactured on behalf of Cat Daddy® of Springfield, Missouri USA since March 1, 2011.

Cat Daddy® products manufactured by or on behalf of other entities prior to March 1, 2011 are not covered by this warranty. In all circumstances, this Warranty is Limited in Value to the original retail value of the product and is limited to actual damage to the Cat Daddy® product and only the Cat Daddy® product. ²Loss of a product, and loss/damage of a product or parts due to the attempted repair or servicing of a Cat Daddy® product by any person or business other than Cat Daddy® or Cat Daddy® Authorized Warranty Service Agent, and damage caused by or resulting from abuse, misuse, lack of recommended maintenance, accident, acts of God, and shipping damages occurring in transit to Cat Daddy® or Cat Daddy® Authorized Agent are outside the scope of Cat Daddy® Limited Warranty and will be repaired through Cat Daddy® after warranty services at the expense of the consumer. ³Any products replaced by Cat Daddy® will be new or remanufactured by a Cat Daddy® Authorized Agent with the same or next model upgrade product. ⁴Cat Daddy® will return warranted products to the consumer by reasonable means as determined by Cat Daddy®. ⁵Express or expedited services are the responsibility of the consumer as is sending the product to Cat Daddy® or Cat Daddy® Authorized Agent, for Warranty Service. Cat Daddy® and Cat Daddy® Service Agents as authorized by Cat Daddy® are the sole agents authorized to repair or replace Cat Daddy® products under the terms of this warranty. Only written changes by an officer of Cat Daddy® can alter the terms or conditions of this warranty.

This warranty gives you specific legal rights including additional rights extended by some states which do not allow certain exclusions and limitations. Any action brought against Cat Daddy® for the purpose of settling a warranty dispute shall be brought and litigated in the State of Missouri, County of Greene.

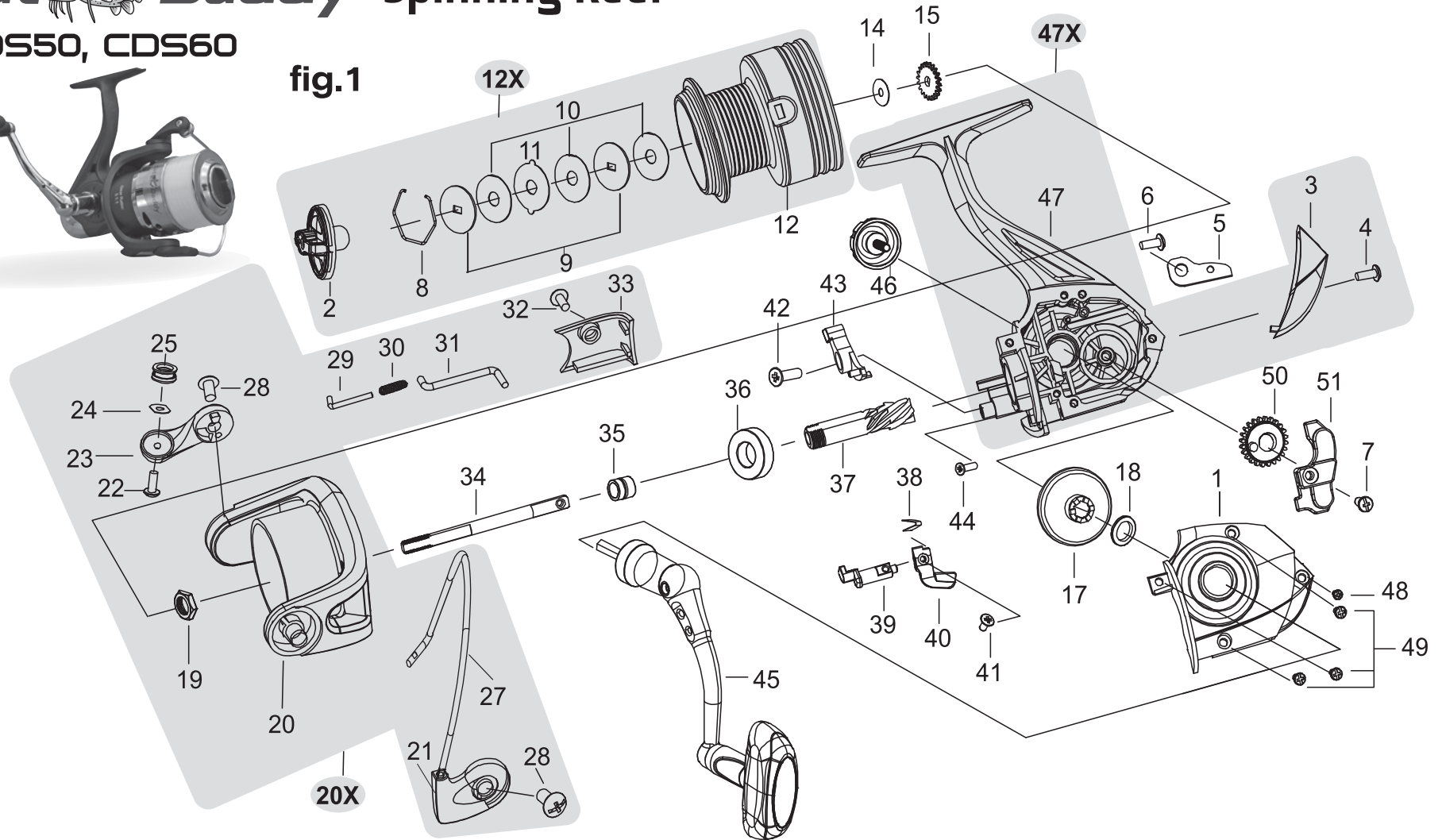
Do Outdoors 3031 N. Martin, Springfield, MO 65803 Phone: 877-470-5397 FAX: 1-417-881-5387

Cat Daddy® Spinning Reel

CDS50, CDS60



fig.1



NO. PARTS NAME	NO. PARTS NAME	NO. PARTS NAME	NO. PARTS NAME	NO. PARTS NAME
1. BODY COVER	11. EARED WASHER	22. SCREW	33. BAIL ARM COVER	43. ANTI-REVERSE SLIDER
2. DRAG KNOB	12. SPOOL	23. BAIL ARM	34. MAIN SHAFT	44. SCREW X 3
3. BODY CAP	12X. SPOOL ASSEMBLY	24. WASHER	35. EXTENSION SPRING	45. HANDLE ASSEMBLY
4. SCREW	14. CLICK GEAR WASHER	25. LINE ROLLER	36. BALL BEARING	46. HANDLE CAP
5. BALANCE SLIDER	15. CLICK GEAR	27. BAIL WIRE ASSEMBLY	37. PINION GEAR	47. BODY
6. SCREW	17. MAIN GEAR	28. SCREW X 2	38. ANTI-REVERSE SPRING	47X. BODY ASSEMBLY
7. SCREW	18. WASHER	29. FLIP WIRE	39. ANTI-REVERSE SHAFT	48. SCREW
8. CLIP	19. ROTOR NUT	30. SPRING	40. ANTI-REVERSE SWITCH	49. SCREW
9. KEY WASHER X 2	20. ROTOR	31. KICK LEVER	41. SCREW	50. GEAR
10. DRAG WASHER X 3	20X. ROTOR ASSEMBLY	32. SCREW X 2	42. SCREW	51. SLIDER

For professional cleaning and maintenance send your reel postage prepaid to:
 Lew's 3031 N. Martin Ave.
 Springfield, MO 65803
 Phone: 877-470-5397
 or 417-522-1093
 FAX: 1-417-881-5387
 lews.com

