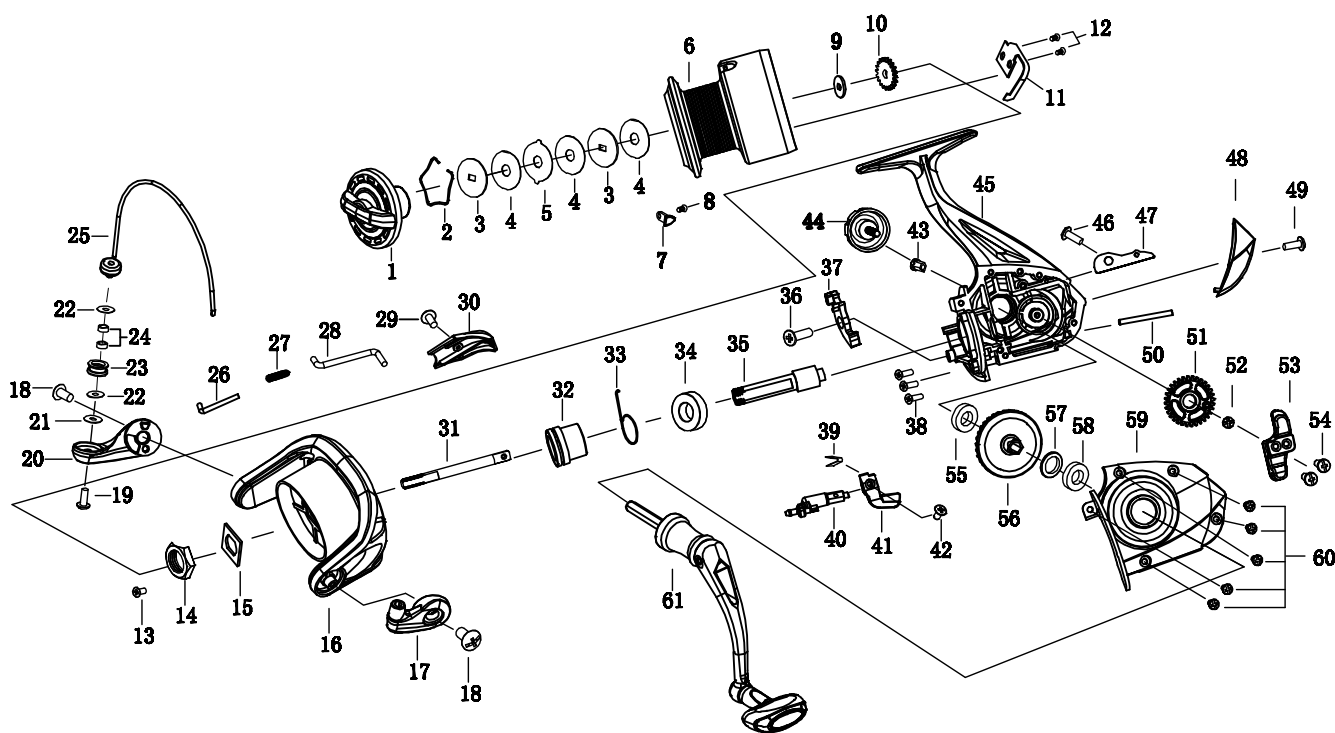


## ● EXPLODED VIEW



## ● PARTS LIST

NO.	PARTS NAME	NO.	PARTS NAME	NO.	PARTS NAME
1	FRONT DRAG SET	22	WASHER	43	WASHER
2	STOPPER SPRING	23	LINE ROLLER	44	HANDLE CAP
3	KEY WASHER	24	PLASTIC BALL BEARING	45	BODY
4	DRAG WASHER	25	BAIL ARM SET	46	SCREW
5	EARED WASHER	26	ARM LEVER SHAFT	47	BALANCE SLIDER
6	SPOOL	27	SPRING	48	BODY CAP
7	LINE KEEPER	28	KICK LEVER	49	SCREW
8	SCREW	29	SCREW	50	SLIDER SHAFT
9	CLICK WASHER	30	ARM LEVER CAP	51	OSCILLATING GEAR
10	CLICK GEAR	31	MAIN SHAFT	52	SCREW
11	CLICKER	32	INNER KEEPER	53	SLIDER
12	SCREW	33	INNER RING	54	SCREW
13	SCREW	34	BALL BEARING	55	PLASTIC BALL BEARING
14	NUT	35	PINION GEAR	56	MAIN GEAR
15	FIX HOLDER	36	SCREW	57	WASHER
16	ROTOR	37	ANTI-REVERSE SLIDER	58	PLASTIC BALL BEARING
17	BAIL BOLDER	38	SCREW	59	BODY COVER
18	SCREW	39	ANTI-REVERSE SPRING	60	SCREW
19	SCREW	40	ANTI-REVERSE SHAFT	61	HANDLE SET
20	ARM LEVER	41	ANTI-REVERSE SWITCH		
21	WASHER	42	SCREW		