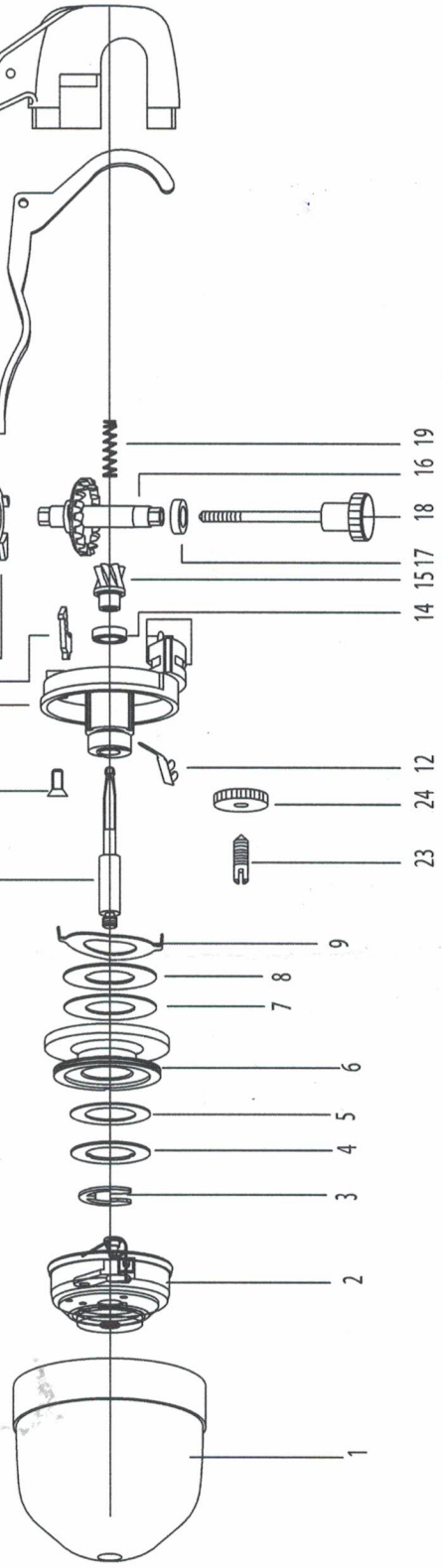




# MUSI

KEY NO.	PARTS NAME	KEY NO.	PARTS NAME
1	FRONT COVER	17	BUSHING
2	ROTOR HEAD ASSEMBLY	18	HANDLE SCREW
3	SPOOL CLIP	19	SPRING MAIN SHAFT
4	WASHER	20	REAR COVER FRAME
5	KEYED WASHER	21	TRIGGER
6	SPOOL W/#6 LINE	22	SCREW TRIGGER
7	DRAG WASHER A	23	DRAG SCREW
8	DRAG WASHER B	24	DRAG ADJUSTMENT WHEEL
9	DRAG CLUTCH WASHER	25	ANTI REVERSE DOG
10	MAIN SHAFT	26	ANTI REVERSE CAM
11	SCREW CLICKER	27	BUSHING
12	CLICKER	28	RETENTION COVER
13	BODY	29	HANDLE ASSEMBLY
14	BEARING	30	ANTI REVERSE SWITCH
15	PINION GEAR	31	WASHER BENT
16	DRIVE GEAR	32	E-CLIP



### Consumer Information

Mr Crappie®

### REEL WARRANTY REGISTRATION

Please complete and return this section within 30 days of purchase to activate your warranty registration. Thank you for choosing Mr Crappie®!

### Product Information

Item \_\_\_\_\_ Model \_\_\_\_\_ City \_\_\_\_\_ State \_\_\_\_\_

### Purchase Information

Postal Code \_\_\_\_\_

Date \_\_\_\_\_ Location \_\_\_\_\_ Telephone \_\_\_\_\_

City \_\_\_\_\_ State \_\_\_\_\_ Email (optional) \_\_\_\_\_

Cut out and send this warranty registration to Do Outdoors 2253 E. Bennett St., Springfield, MO 65804