



Maintenance and Care

While applying lubricant to your Laser® Lite Speed Spin® reel, avoid using multi-purpose oil. Use lightweight silicone based oils or greases made for fishing reels. Apply oil to all bearings, the crank shaft, and the worm gear. Apply grease to the bushings, pinion gears, drive gears, and crank gears.

After usage your reel should be inspected for dirt or sand and cleaned if excessive buildup is present. If your reel has come in contact with saltwater it is important to flush all parts with water, dry and re-lubricate your reel. Through diligent cleaning and maintenance your Speed Spin® reel will provide you with years of reliability and sound performance.

For professional cleaning and maintenance send your reel postage prepaid to:

LEW'S® 2253 E. Bennett St. Springfield, MO 65804
417-881-5397 www.lews.com

LLS50, LLS75, LLS100

Speed Spin® reels are designed to be **Lighter, Faster and Stronger**

Driven by innovation – Fueled with Passion
Feel the Difference!

One Year Limited Warranty



Reel Specifications

Model	Weight	Ball Bearings	Gear Ratio	Line Capacity	IPT
LLS50	5.6 OZ.	6 +1	5.2:1	150/4	3"
LLS75	5.7 OZ.	6 +1	5.2:1	120/6	23.5"
LLS100	6.9 OZ.	6 +1	5.2:1	120/8	24"

FEATURES:

- Rugged graphite painted body and rotor
- Quality seven bearing system
- Double anodized aluminum spool
- Large diameter spool for longer casts and faster retrieve
- Thin compact gear box
- Zero Reverse Anti-Reverse
- Speed Lube™ – for exceptional smoothness and uninterrupted for exceptional smoothness and uninterrupted performance in extreme heat or cold weather conditions.
- Right or Left Hand Retrieve

7 Bearing System

Lew's® warrants its products¹ to withstand normal² use for the purpose designed and intended when manufactured for a period of one (1) year from the original retail sale date to the original retail consumer. Lew's® will at its option repair or replace³ Lew's® products when required for the warranty period and return⁴ the product to the owner at no additional⁵ cost to the owner.

¹Numerous products have been manufactured under variations of the Lew's® name and under the Lew's® Logo by multiple businesses over the past 50 years. This warranty is specifically for products manufactured on behalf of Lew's® of Springfield, Missouri USA since January 1, 2010. Lew's® products manufactured by or on behalf of other entities prior to January 1, 2010 are not covered by this warranty. In all circumstances, this Warranty is Limited in Value to the original retail value of the product and is limited to actual damage to the Lew's® product and only the Lew's® product. ²Loss of a product, and loss/damage of a product or parts due to the attempted repair or servicing of a Lew's® product by any person or business other than Lew's® or Lew's® Authorized Warranty Service Agent, and damage caused by or resulting from abuse, misuse, lack of recommended maintenance, accident, acts of God, and shipping damages occurring in transit to Lew's® or Lew's® Authorized Agent are outside the scope of Lew's® Limited Warranty and will be repaired through Lew's® after warranty services at the expense of the consumer. ³Any products replaced by Lew's® will be new or remanufactured by a Lew's® Authorized Agent with the same or next model upgrade product. ⁴Lew's® will return warranted products to the consumer by reasonable means as determined by Lew's®. ⁵Express or expedited services are the responsibility of the consumer as is sending the product to Lew's® or Lew's® Authorized Agent, for Warranty Service. Lew's® and Lew's® Service Agents as authorized by Lew's® are the sole agents authorized to repair or replace Lew's® products under the terms of this warranty. Only written changes by an officer of Lew's® can alter the terms or conditions of this warranty.

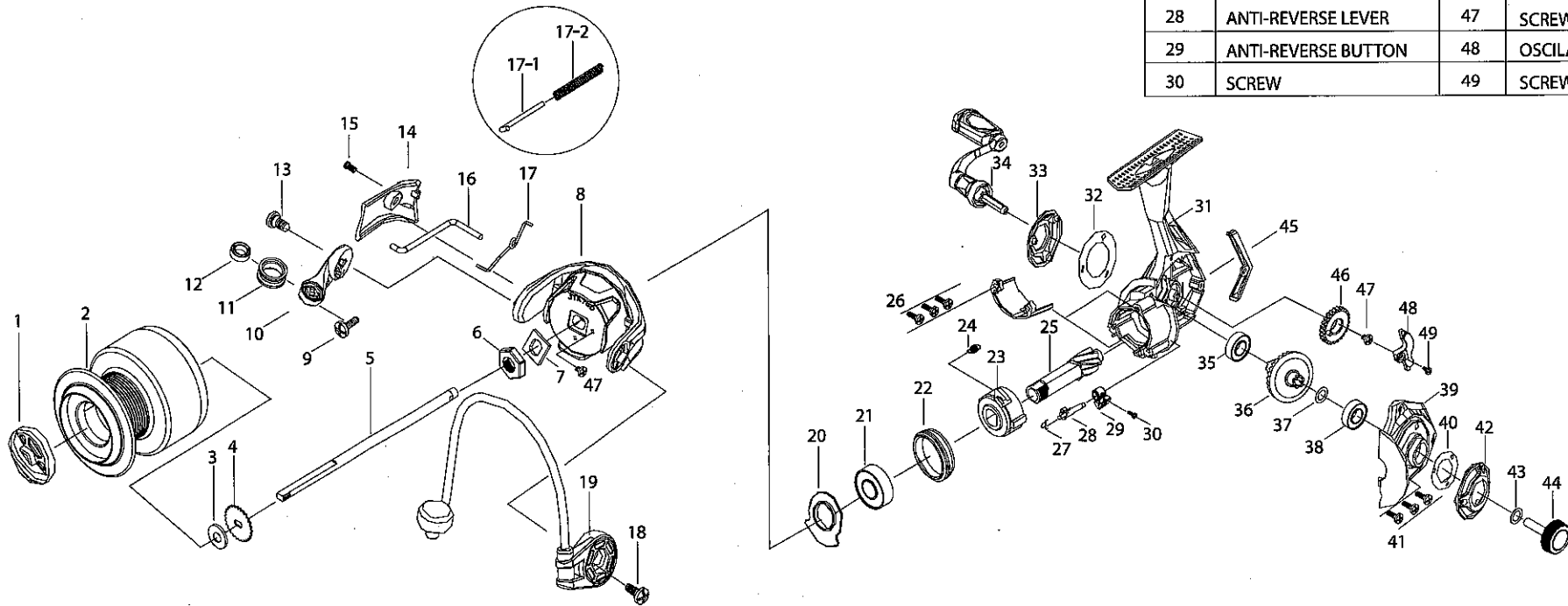
This warranty gives you specific legal rights including additional rights extended by some states which do not allow certain exclusions and limitations. Any action brought against Lew's® for the purpose of settling a warranty dispute shall be brought and litigated in the State of Missouri, County of Greene.

Lew's® 2253 E Bennett, Springfield, MO 65804 Phone 1-417-881-LEWS (5397) FAX: 1-417-881-5387



LLS50, LLS75, LLS100

KEY NO.	PARTS NAME	KEY NO.	PARTS NAME	KEY NO.	PARTS NAME
1	DRAG KNOB ASSEMBLY	14	ROTOR CAP	31	BODY
2	SPOOL ASSEMBLY	15	SCREW	32	CARBON CLOTH
3	WASHER	16	BAIL TRIP SHAFT	33	BODY RING
4	CLICK GEAR	17	BAIL SPRING (LLS50/75)	34	HANDLE ASSEMBLY
5	MAIN SHAFT	17-1	BAIL SPRING PIN (LLS100)	35	BALL BEARING
6	ROTOR NUT	17-2	BAIL SPRING (LLS100)	36	DRIVE GEAR
7	WASHER	18	SCREW	37	WASHER
8	ROTOR	19	BAIL ASSEMBLY	38	BALL BEARING
9	SCREW	20	BALL BEARING RETAINER	39	BODY COVER
10	BALL ARM	21	BALL BEARING	40	CARBON CLOTH
11	LINE ROLLER	22	BALL BEARING HOLDER	41	SCREW
12	BALL BEARING	23	ONE WAY CLUTCH BEARING	42	BODY COVER RING
13	SCREW	24	SPRING	43	WASHER
		25	PINION GEAR	44	HANDLE SCREW CAP
		26	SCREW	45	BODY CAP
		27	OWC BEARING SPRING	46	OSCILLATING GEAR
		28	ANTI-REVERSE LEVER	47	SCREW
		29	ANTI-REVERSE BUTTON	48	OSCILLATING SLIDER
		30	SCREW	49	SCREW



LEW'S®
 2253 E. Bennett St.
 Springfield, MO 65804
 417-881-5397
 www.lews.com