



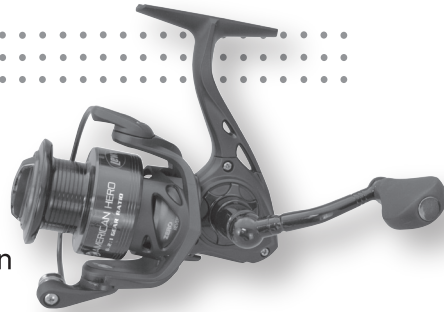
AMERICAN HERO® SPEED SPIN®

AH100, AH200, AH300, AH400

Speed Spin reels are designed to be Lighter, *Faster* and **Stronger**

Driven by innovation – Fueled with Passion

Feel the Difference!



Reel Specifications

Model	Weight (oz.)	Gear Ratio	Line Capacity (yd./lb.)	RPT*
AH100	8.7	6.2:1	170/6	30"
AH200	8.9	6.2:1	150/8	31"
AH300	9.9	6.2:1	180/10	32"
AH400	10.4	6.2:1	195/12	35"

*Recovery per turn.

FEATURES:

- Rugged, lightweight graphite body and rotor
- 5-bearing system with Zero-Reverse Bearing one-way clutch bearing
- Double anodized aluminum spool • Thin compact gear box
- Precision cut solid brass pinion gear • Speed Lube™ for exceptional smoothness and uninterrupted performance in all weather conditions • Oversized multiple disc drag system for smooth performance
- Adjustable for right or left hand retrieve

ATTENTION BRAIDED LINE USERS!

If your Lew's® Spinning reel has a knurled spool or rubber arbor (designed for tying braided line directly to the spool), you can tie braid directly to your spool using a uni-knot.

If your Lew's® spinning reel does not have a knurled spool or rubber arbor, you will need to first tie on and spool at least 20 revolutions of monofilament line, with either a back-to-back uni-knot or an Albright knot.

Continue to spool your reel as normal, keeping strong tension on the line to ensure the line is firmly wound onto the spool to keep from "digging in" to underlying line layers when pressure is put on the line from fighting fish.

FAILURE TO PROPERLY SPOOL BRAIDED LINE ONTO YOUR REELS SPOOL WILL RESULT IN LINE SLIPPAGE, AND THE IMPRESSION YOUR DRAG IS NOT WORKING PROPERLY.

Maintenance and Care

While applying lubricant to your American Hero® Speed Spin® reel, avoid using multi-purpose oil. Use lightweight silicone based oils or greases made for fishing reels. Apply oil to all bearings and the the main shaft. Apply grease to the bushings, pinion gears and main gears.

After usage your reel should be inspected for dirt or sand and cleaned if excessive buildup is present. If your reel has come in contact with saltwater it is important to flush all parts with water, dry and re-lubricate your reel. Through diligent cleaning and maintenance your Lew's® reel will provide you with years of reliability and sound performance.

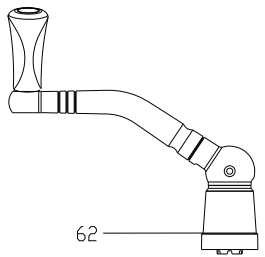
One Year Limited Warranty

For Warranty information and registration go to lews.com

Lew's® Warrants its products¹ to withstand normal² use for the purpose designed and intended when manufactured for a period of one (1) year from the original retail sale date to the original retail consumer. Lew's® will at its option repair or replace³ Lew's® products when required for the warranty period and return⁴ the product to the owner at no additional⁵ cost to the owner.

¹Numerous products have been manufactured under variations of the Lew's® name and under the Lew's® Logo by multiple businesses over the past 50 years. This warranty is specifically for products manufactured on behalf of Lew's® of Springfield, Missouri, USA since January 1, 2010. Lew's® products manufactured by or on behalf of other entities prior to January 1, 2010 are not covered by this warranty. In all circumstances, this Warranty is Limited in Value to the original retail value of the product and is limited to actual damage to the Lew's® product and only the Lew's® product. ²Loss of a product, and loss/damage of a product or parts due to the attempted repair or servicing of a Lew's® product by any person or business other than Lew's® or Lew's® Authorized Warranty Service Agent, and damage caused by or resulting from abuse, misuse, lack of recommended maintenance, accident, acts of God, and shipping damages occurring in transit to Lew's® or Lew's® Authorized Agent are outside the scope of Lew's® Limited Warranty and will be repaired through Lew's® after warranty services at the expense of the consumer. ³Any products replaced by Lew's® will be new or remanufactured by a Lew's® Authorized Agent with the same or next model upgrade product. ⁴Lew's® will return warranted products to the consumer by reasonable means as determined by Lew's®. ⁵Express or expedited services are the responsibility of the consumer as is sending the product to Lew's® or Lew's® Authorized Agent, for Warranty Service. Lew's® and Lew's® Service Agents as authorized by Lew's® are the sole agents authorized to repair or replace Lew's® products under the terms of this warranty. Only written changes by an officer of Lew's® can alter the terms or conditions of this warranty.

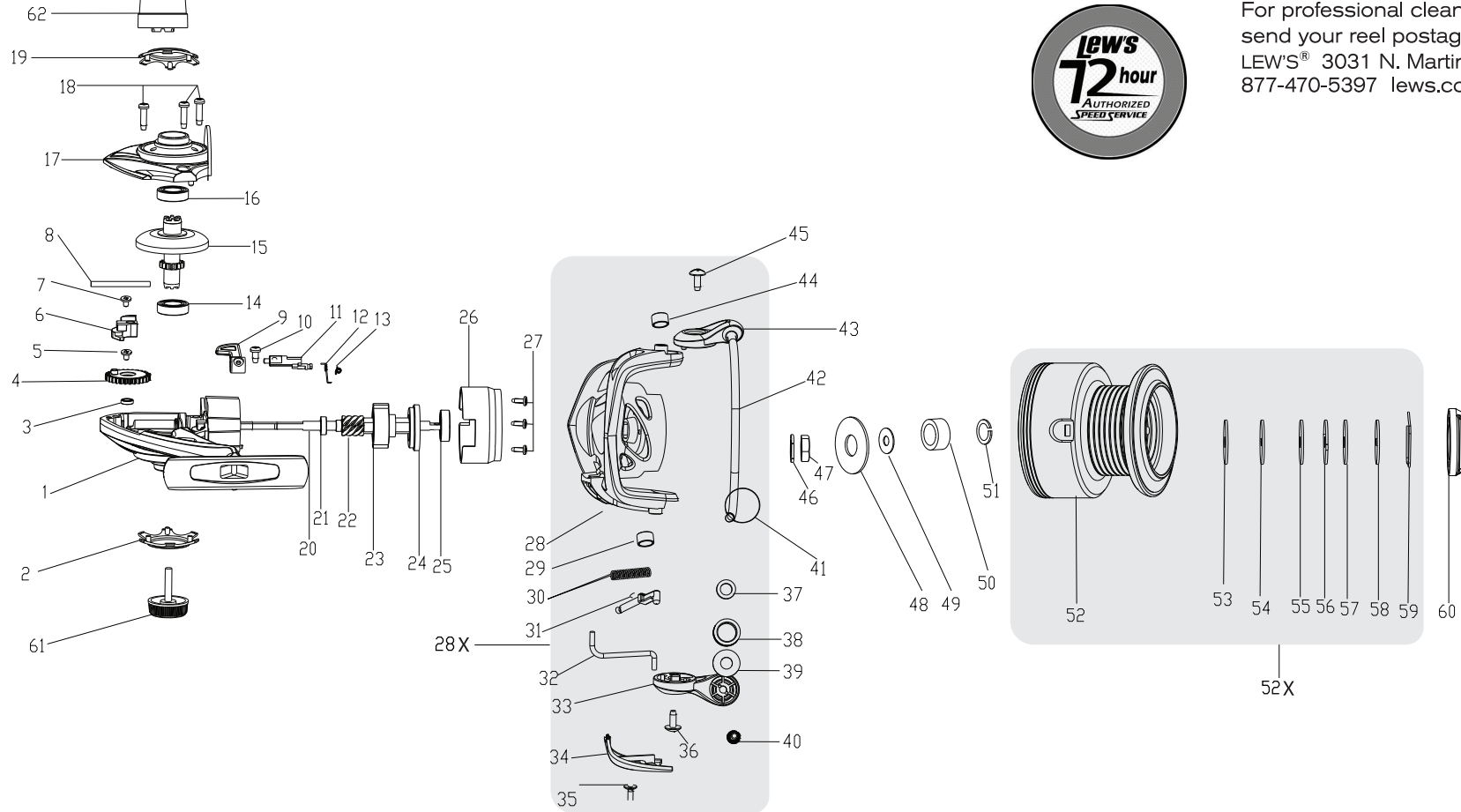
This warranty gives you specific legal rights including additional rights extended by some states which do not allow certain exclusions and limitations. Any action brought against Lew's® for the purpose of settling a warranty dispute shall be brought and litigated in the State of Missouri, County of Greene.



AMERICAN HERO® SPEED SPIN® AH100, AH200, AH300, AH400



For professional cleaning and maintenance
send your reel postage prepaid to:
LEW'S® 3031 N. Martin, Springfield, MO 65803
877-470-5397 lews.com



KEY NO.	PART NAMES	KEY NO.	PART NAMES	KEY NO.	PART NAMES	KEY NO.	PART NAMES	KEY NO.	PART NAMES	KEY NO.	PART NAMES
1	BODY	12	SPRING	22	PINION GEAR	31	BAIL ARM SUPPORT PIN	42	BAIL ASSEMBLY	52	SPOOL
2	BODY TRIM RING	13	SPRING	23	BAIL ARM COVER	32	KICK LEVER	43	BAIL HOLDER	52X	SPOOL ASSEMBLY
3	BUSHING	14	BALL BEARING	24	ONE-WAY CLUTCH BEARING	33	BAIL ARM	44	BUSHING	53	LINE WASHER
4	OSCILLATION GEAR	15	SCREW	25	BUSHING	34	SCREW	45	SCREW	54	DRAG WASHER
5	SCREW	16	DRIVE GEAR	26	BALL BEARING	35	BAIL ARM COVER	46	WASHER	55	LINE WASHER
6	SLIDE	17	BALL BEARING	27	ONE-WAY CLUTCH PLATE	36	SCREW	47	ROTOR NUT	56	DRAG WASHER
7	SCREW	18	BODY SIDEPLATE	28	SCREW	37	BUSHING	48	CLICK GEAR	57	LINE WASHER
8	SLIDE GUIDE PIN	19	SCREW	29	ROTOR	38	BUSHING	49	WASHER	58	DRAG WASHER
9	ANTI-REVERSE LEVER	20	SIDEPLATE TRIM RING	30	ROTOR ASSEMBLY	28X	ROTOR ASSEMBLY	50	BUSHING	59	RING
10	SCREW	21	MAIN SHAFT	31	SPRING	32	WASHER	50	BUSHING	60	DRAG KNOB
11	ANTI-REVERSE	22	BUSHING	33	ROTOR SLIDER	40	WASHER	51	RING	62	HANDLE ASS'Y W/1-BEARING