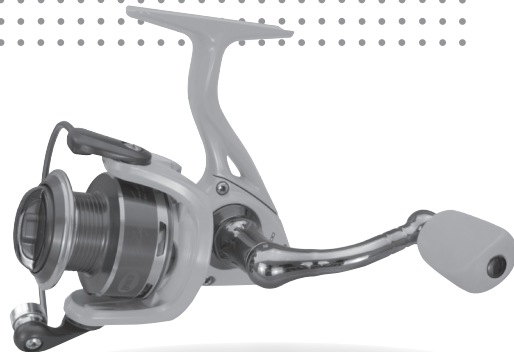




Wally Marshall™
SPEED SHOOTER

WMSS75, WMSS100

Driven by innovation –
Fueled with Passion
Feel the Difference!



Reel Specifications

Model	Weight (oz.)	Line Capacity (yd./lb.)	Gear Ratio	RPT*
WMSS75	5.0	160/4	5.2:1	22"
WMSS100	7.8	160/6	5.2:1	23.5"

*Recovery per turn.

FEATURES:

- 4-Bearing system with Zero-reverse one-way clutch bearing
- Lightweight graphite body and skeletal rotor design
- Double anodized ported aluminum spool
- Strong and balanced aluminum bail
- Thin compact gear box
- Right/Left hand retrieve

4 Bearing System

ATTENTION BRAIDED LINE USERS!

If your Lew's® Spinning reel has a knurled spool or rubber arbor (designed for tying braided line directly to the spool), you can tie braid directly to your spool using a uni-knot.

If your Lew's® spinning reel does not have a knurled spool or rubber arbor, you will need to first tie on and spool at least 20 revolutions of monofilament line, with either a back-to-back uni-knot or an Albright knot.

Continue to spool your reel as normal, keeping strong tension on the line to ensure the line is firmly wound onto the spool to keep from "digging in" to underlying line layers when pressure is put on the line from fighting fish.

FAILURE TO PROPERLY SPOOL BRAIDED LINE ONTO YOUR REELS SPOOL WILL RESULT IN LINE SLIPPAGE, AND THE IMPRESSION YOUR DRAG IS NOT WORKING PROPERLY.

Maintenance and Care

While applying lubricant to your Wally Marshall™ Speed Shooter reel, avoid using multi-purpose oil. Use lightweight silicone based oils or greases made for fishing reels. Apply oil to all bearings and the the main shaft. Apply grease to the bushings, pinion gears and main gears.

After usage your reel should be inspected for dirt or sand and cleaned if excessive buildup is present. If your reel has come in contact with saltwater it is important to flush all parts with water, dry and re-lubricate your reel. Through diligent cleaning and maintenance your Lew's® reel will provide you with years of reliability and sound performance.

One Year Limited Warranty

For Warranty information and registration go to lews.com

Lew's® Warrants its products¹ to withstand normal² use for the purpose designed and intended when manufactured for a period of one (1) year from the original retail sale date to the original retail consumer. Lew's® will at its option repair or replace³ Lew's® products when required for the warranty period and return⁴ the product to the owner at no additional⁵ cost to the owner.

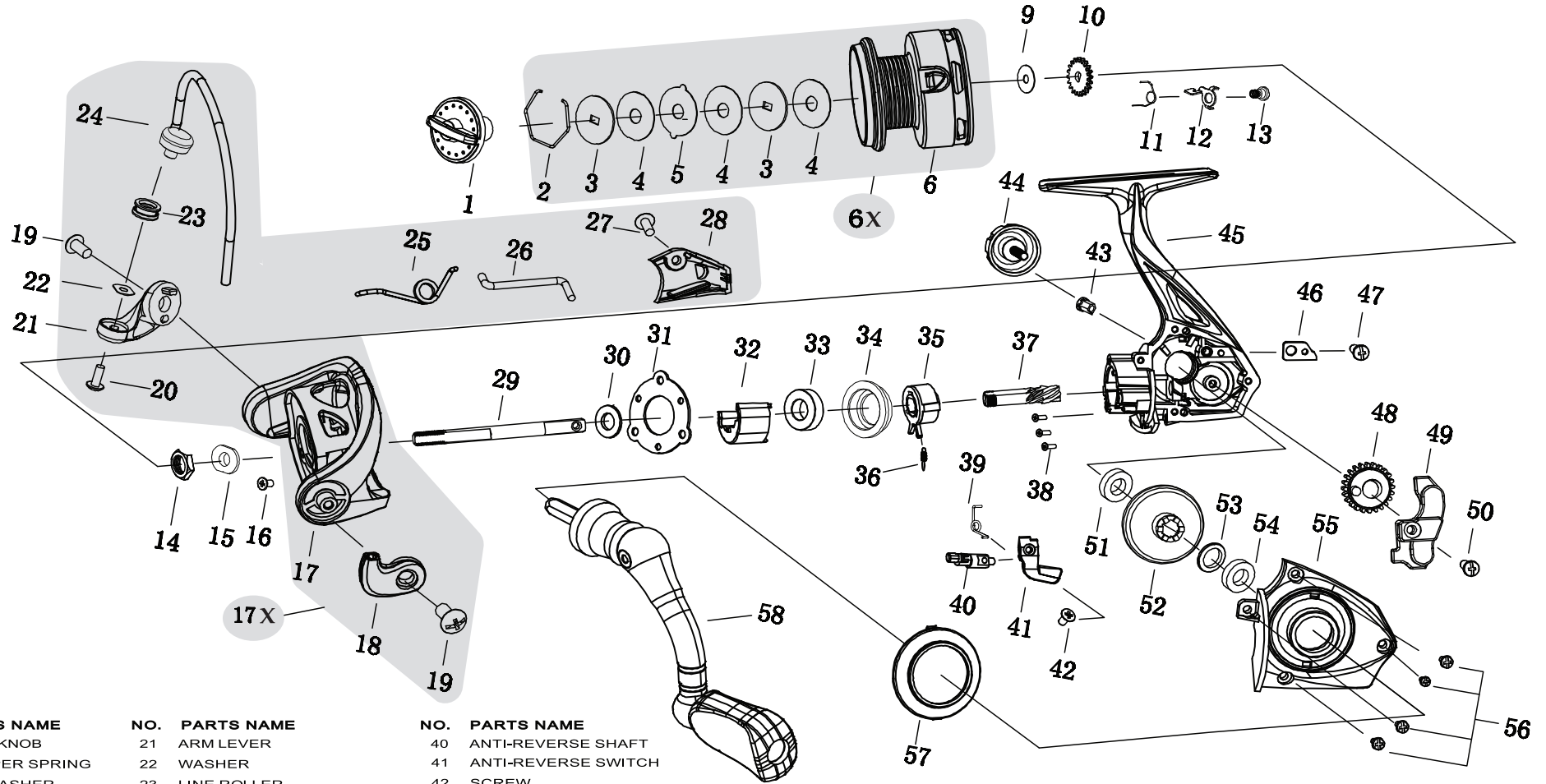
1Numerous products have been manufactured under variations of the Lew's® name and under the Lew's® Logo by multiple businesses over the past 50 years. This warranty is specifically for products manufactured on behalf of Lew's® of Springfield, Missouri, USA since January 1, 2010. Lew's® products manufactured by or on behalf of other entities prior to January 1, 2010 are not covered by this warranty. In all circumstances, this Warranty is Limited in Value to the original retail value of the product and is limited to actual damage to the Lew's® product and only the Lew's® product. 2Loss of a product, and loss/damage of a product or parts due to the attempted repair or servicing of a Lew's® product by any person or business other than Lew's® or Lew's® Authorized Warranty Service Agent, and damage caused by or resulting from abuse, misuse, lack of recommended maintenance, accident, acts of God, and shipping damages occurring in transit to Lew's® or Lew's® Authorized Agent are outside the scope of Lew's® Limited Warranty and will be repaired through Lew's® after warranty services at the expense of the consumer. 3Any products replaced by Lew's® will be new or remanufactured by a Lew's® Authorized Agent with the same or next model upgrade product. 4Lew's® will return warranted products to the consumer by reasonable means as determined by Lew's®. 5Express or expedited services are the responsibility of the consumer as is sending the product to Lew's® or Lew's® Authorized Agent, for Warranty Service. Lew's® and Lew's® Service Agents as authorized by Lew's® are the sole agents authorized to repair or replace Lew's® products under the terms of this warranty. Only written changes by an officer of Lew's® can alter the terms or conditions of this warranty.

This warranty gives you specific legal rights including additional rights extended by some states which do not allow certain exclusions and limitations. Any action brought against Lew's® for the purpose of settling a warranty dispute shall be brought and litigated in the State of Missouri, County of Greene.



Wally Marshall™ SPEED SHOOTER

WMSS75, WMSS100



NO.	PARTS NAME
1	DRAG KNOB
2	STOPPER SPRING
3	KEY WASHER
4	DRAG WASHER
5	EARED WASHER
6	SPOOL
6X	SPOOL ASS'Y
9	CLICK WASHER
10	CLICK GEAR
11	SPRING
12	CLICKER
13	SCREW
14	NUT
15	WASHER
16	SCREW
17	ROTOR
17X	ROTOR ASS'Y
18	BAIL HOLDER
19	SCREW
20	SCREW

NO.	PARTS NAME
21	ARM LEVER
22	WASHER
23	LINE ROLLER
24	BAIL ARM
25	SPRING
26	KICK LEVER
27	SCREW
28	ARM LEVER CAP
29	MAIN SHAFT
30	WASHER
31	FIX HOLDER
32	OUTER RING
33	BALL BEARING
34	BALL BEARING KEEPER
35	ONE-WAY CLUTCH BEARING
36	SPRING
37	PINION GEAR
38	SCREW
39	ANTI-REVERSE SPRING

NO.	PARTS NAME
40	ANTI-REVERSE SHAFT
41	ANTI-REVERSE SWITCH
42	SCREW
43	SCREW
44	HANDLE CAP
45	BODY
46	BALANCE SLIDER
47	SCREW
48	GEAR
49	SLIDER
50	SCREW
51	BALL BEARING
52	MAIN GEAR
53	WASHER
54	BALL BEARING
55	BODY SIDEPLATE
56	SCREW
57	BODY CAP
58	HANDLE SET



For Warranty information and registration go to lews.com

For professional cleaning and maintenance send your reel postage prepaid to: Lew's Speed Services
Phone: 877-470-5397
FAX: 1-417-881-5387
lews.com