

#CTJTR Mr. Crappie Crappie Thunder Jig/Troll Reel

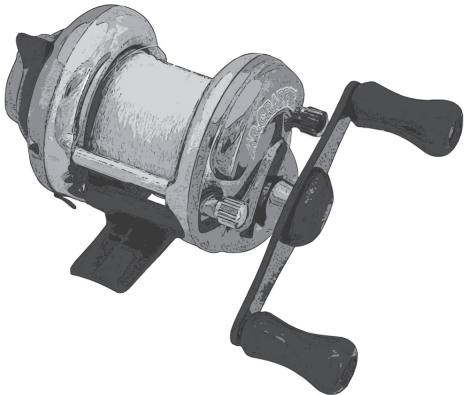
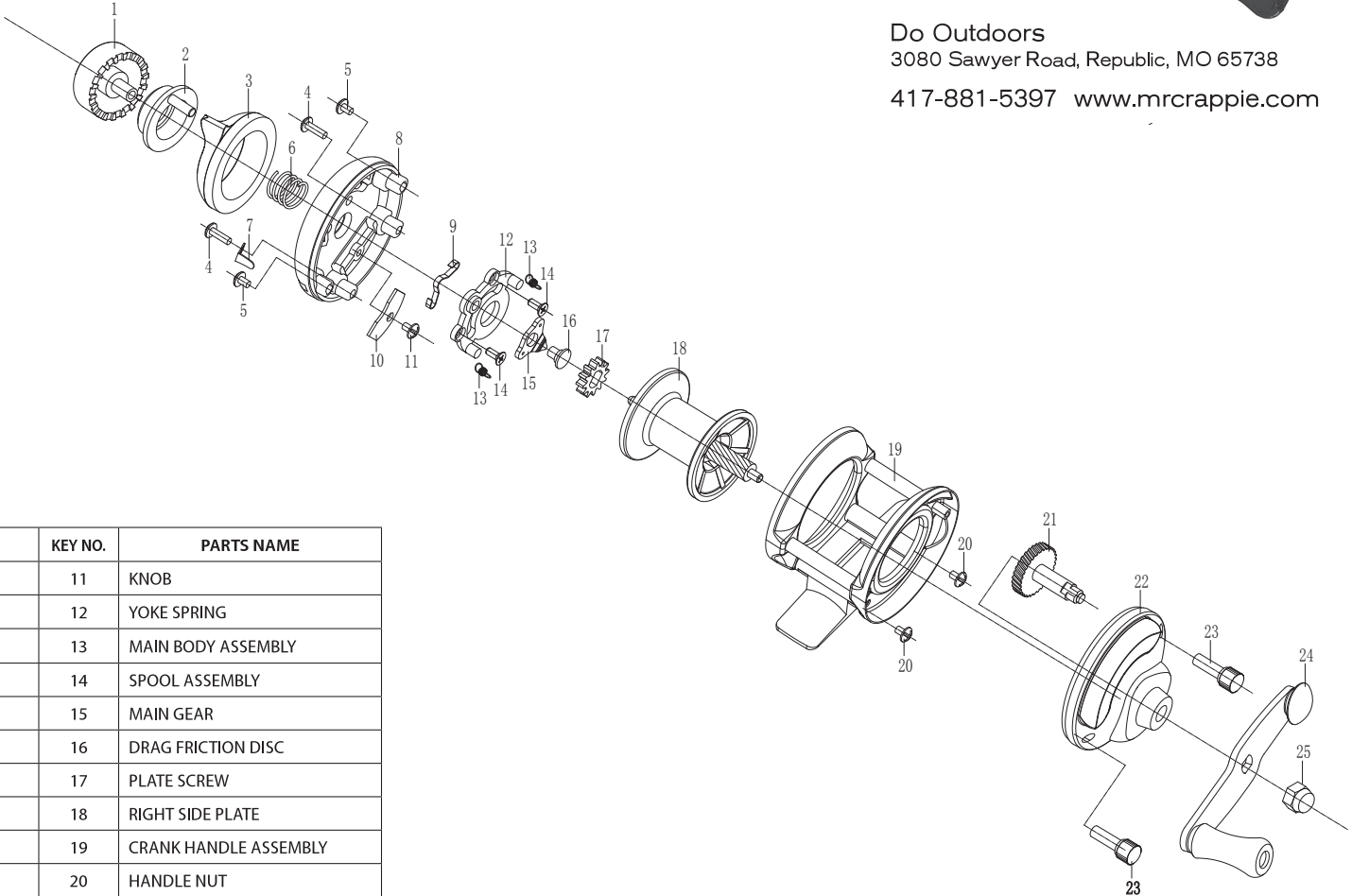


fig 1 To remove side cover unscrew side-plate screws pry front cover away from body to access components



Do Outdoors
 3080 Sawyer Road, Republic, MO 65738
 417-881-5397 www.mrcrappie.com

KEY NO.	PARTS NAME	KEY NO.	PARTS NAME
1	SCREW RETAINER	11	KNOB
2	SPRING	12	YOKE SPRING
3	LEFT SIDE PLATE SCREW	13	MAIN BODY ASSEMBLY
4	SPRING	14	SPOOL ASSEMBLY
5	SCREW PLATE	15	MAIN GEAR
6	PLATE COVER	16	DRAG FRICTION DISC
7	LEFT SIDE PLATE	17	PLATE SCREW
8	SPRING	18	RIGHT SIDE PLATE
9	HOLDING PLATE	19	CRANK HANDLE ASSEMBLY
10	KEEPER SCREW	20	HANDLE NUT